



Charcoal Oven HJX25L

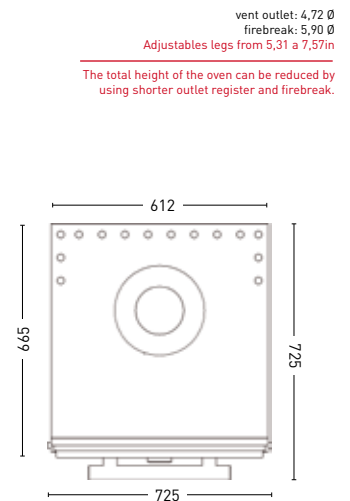
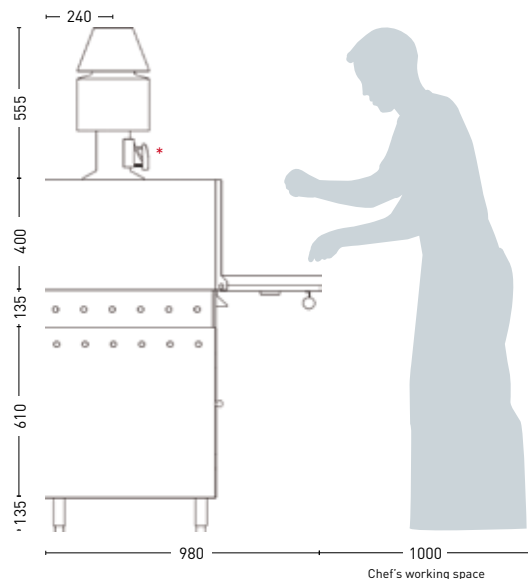
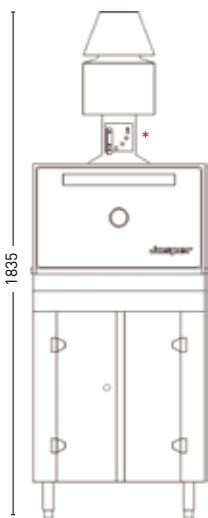
INCLUDED ACCESSORIES

- Smoke outlet vent
- One cooking grill rack
- Charcoal grates
- Jospier tongs
- Bristle brush
- Poker
- Ash hatch and handle
- Ash pan

OPTIONAL ACCESSORIES

- Extra cooking grill rack
- Firebreak
- Firebreak's hat
- Cookware⁴
- Tray support

TECHNICAL DRAWINGS



vent outlet: 4,72 Ø
firebreak: 5,90 Ø
Adjustables legs from 5,31 a 7,57in
The total height of the oven can be reduced by using shorter outlet register and firebreak.

TECHNICAL INFORMATION

Fire up time ¹	30 min average
Jospier charcoal daily consumption	10 to 12 kg average
Performance	9 h
Production per hour ²	60 kg average
Cooking temperature	300 °C to 350 °C
Oven capacity in GN trays (per grill rack)	2 x GN1/2 + 1 x GN1/3
Power equivalence	3 kW
Exhaust rate ³	2800 m ³ /h
Maximum smoke flow	7 g/s

INSTALLATION

Recommended installation height	
Clearance with other cooking equipment	100 mm

BUNDLES: SIZES AND WEIGHTS

Sizes bundle 1	760 x 750 x 865 mm
Sizes bundle 2	760 x 750 x 885 mm
-	-
Gross weight bundle 1	147 kg
Gross weight bundle 2	51 kg
-	-

- 1 Please, check our document titled "Fire up and use of the Jospier oven".
 - 2 Please, check our "Cookbook".
 - 3 Please, check our document titled "Installation advices of the Jospier oven".
 - 4 Please, see our wide range of cookware in our website: www.jospier.es
- Ovens' sizes and weights are to be considered with the standard accessories and packing.

A continual improvement process may require us to change specifications without any notice. Revised June 2012.



Charcoal Oven HJX25L*ACXP

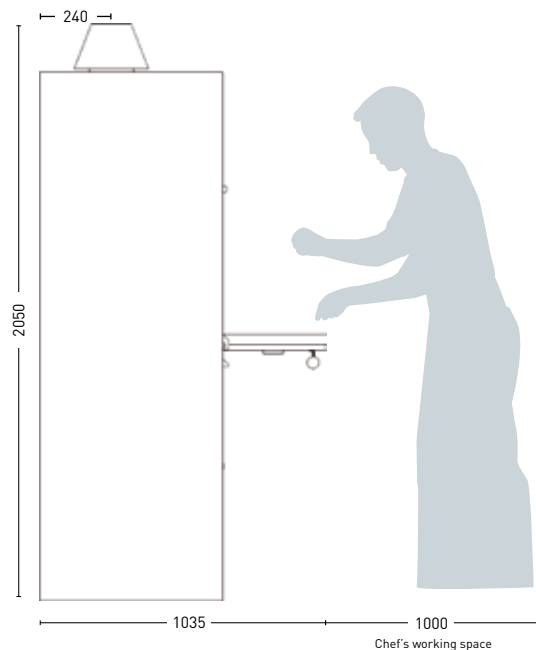
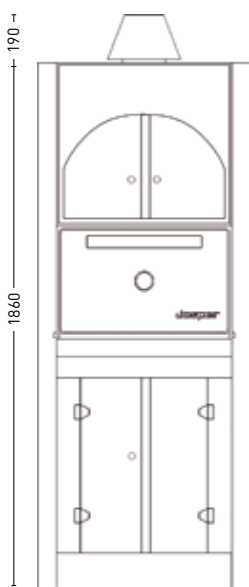
INCLUDED ACCESSORIES

- Smoke outlet vent
- One cooking grill rack
- Charcoal grates
- Josper tongs
- Bristle brush
- Poker
- Ash hatch and handle
- Ash pan

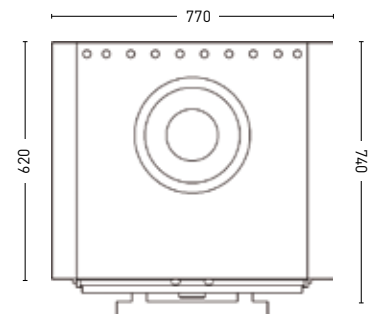
OPTIONAL ACCESSORIES

- Extra cooking grill rack
- Firebreak
- Firebreak's hat
- Cookware⁴

TECHNICAL DRAWINGS



vent outlet: 4,72 Ø
firebreak: 5,90 Ø



TECHNICAL INFORMATION

Fire up time ¹	30 min average
Josper charcoal daily consumption	10 to 12 kg average
Performance	9 h
Production per hour ²	60 kg average
Cooking temperature	300 °C to 350 °C
Oven capacity in GN trays (per grill rack)	2 x GN1/2 + 1 x GN1/3
Power equivalence	3 kW
Exhaust rate ³	2800 m ³ /h
Maximum smoke flow	7 g/s

INSTALLATION

Recommended installation height	
Clearance with other cooking equipment	

BUNDLES: SIZES AND WEIGHTS

Sizes bundle 1	760 x 750 x 865 mm
Sizes bundle 2	760 x 750 x 885 mm
Sizes bundle 3	1200 x 800 x 2010 mm
Gross weight bundle 1	147 kg
Gross weight bundle 2	51 kg
Gross weight bundle 3	128 kg

- 1 Please, check our document titled "Fire up and use of the Josper oven".
- 2 Please, check our "Cookbook".
- 3 Please, check our document titled "Installation advices of the Josper oven".
- 4 Please, see our wide range of cookware in our website: www.josper.es
Ovens' sizes and weights are to be considered with the standard accessories and packing.

A continual improvement process may require us to change specifications without any notice. Revised June 2012.



Charcoal Oven HJX25L*BC

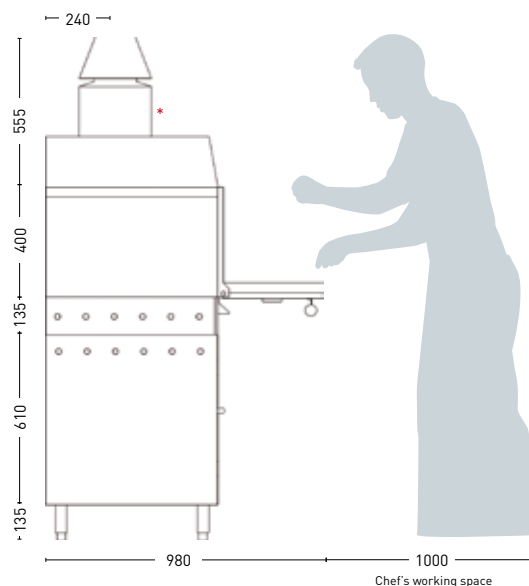
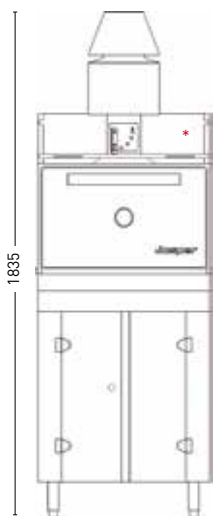
INCLUDED ACCESSORIES

- Smoke outlet vent
- One cooking grill rack
- Charcoal grates
- Josper tongs
- Bristle brush
- Poker
- Ash hatch and handle
- Ash pan

OPTIONAL ACCESSORIES

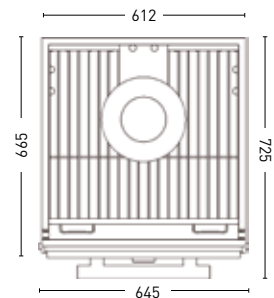
- Extra cooking grill rack
- Firebreak
- Firebreak's hat
- Cookware⁴

TECHNICAL DRAWINGS



vent outlet: 4,72 Ø
firebreak: 5,90 Ø
Adjustables legs from 5,31 a 7,57in

The total height of the oven can be reduced by using shorter outlet register and firebreak.



TECHNICAL INFORMATION

Fire up time ¹	30 min average
Josper charcoal daily consumption	10 to 12 kg average
Performance	9 h
Production per hour ²	60 kg average
Cooking temperature	300 °C to 350 °C
Oven capacity in GN trays (per grill rack)	2 x GN1/2 + 1 x GN1/3
Power equivalence	3 kW
Exhaust rate ³	2800 m ³ /h
Maximum smoke flow	7 g/s

INSTALLATION

Recommended installation height	
Clearance with other cooking equipment	100 mm

BUNDLES: SIZES AND WEIGHTS

Sizes bundle 1	760 x 750 x 1060 mm
Sizes bundle 2	760 x 750 x 885 mm
-	-
Gross weight bundle 1	161 kg
Gross weight bundle 2	51 kg
-	-

- 1 Please, check our document titled "Fire up and use of the Josper oven".
- 2 Please, check our "Cookbook".
- 3 Please, check our document titled "Installation advices of the Josper oven".
- 4 Please, see our wide range of cookware in our website: www.josper.es
Ovens' sizes and weights are to be considered with the standard accessories and packing.

A continual improvement process may require us to change specifications without any notice. Revised June 2012.



Charcoal Oven HJX25M

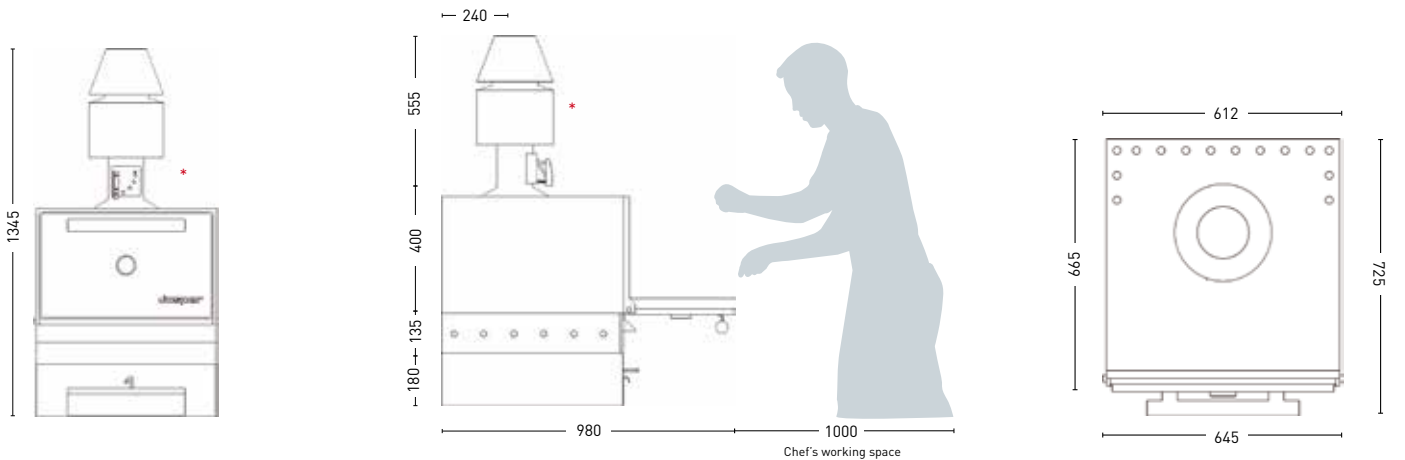
INCLUDED ACCESSORIES

- Smoke outlet vent
- One cooking grill rack
- Charcoal grates
- Josper tongs
- Bristle brush
- Poker
- Ash hatch and handle
- Ash pan

OPTIONAL ACCESSORIES

- Extra cooking grill rack
- Firebreak
- Firebreak's hat
- Cookware⁴
- Tray support
- Below cabinet

TECHNICAL DRAWINGS



TECHNICAL INFORMATION

Fire up time ¹	30 min average
Josper charcoal daily consumption	10 to 12 kg average
Performance	9 h
Production per hour ²	60 kg average
Cooking temperature	300 °C to 350 °C
Oven capacity in GN trays (per grill rack)	2 x GN1/2 + 1 x GN1/3
Power equivalence	3 kW
Exhaust rate ³	2800 m ³ /h
Maximum smoke flow	7 g/s

INSTALLATION

Recommended installation height	550 mm from floor level
Clearance with other cooking equipment	100 mm

BUNDLES: SIZES AND WEIGHTS

Sizes bundle 1	760 x 750 x 865 mm
-	-
-	-
Gross weight bundle 1	159 kg
-	-
-	-

- 1 Please, check our document titled "Fire up and use of the Josper oven".
 - 2 Please, check our "Cookbook".
 - 3 Please, check our document titled "Installation advices of the Josper oven".
 - 4 Please, see our wide range of cookware in our website: www.josper.es
- Ovens' sizes and weights are to be considered with the standard accessories and packing.

i A continual improvement process may require us to change specifications without any notice. Revised June 2012.



Charcoal Oven HJX25M*BC

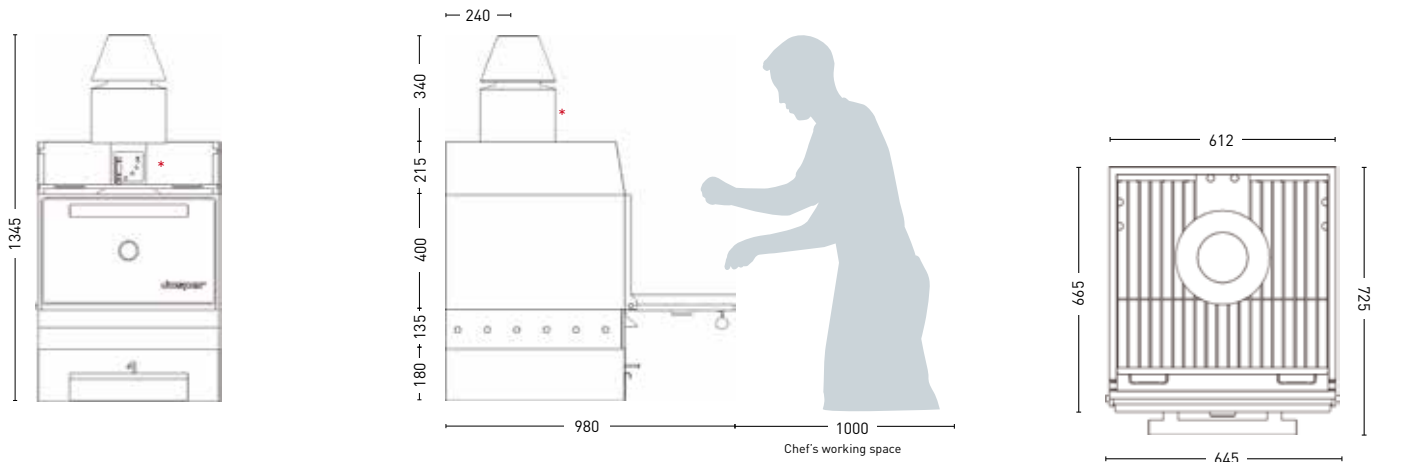
INCLUDED ACCESSORIES

- Smoke outlet vent
- One cooking grill rack
- Charcoal grates
- Josper tongs
- Bristle brush
- Poker
- Ash hatch and handle
- Ash pan

OPTIONAL ACCESSORIES

- Extra cooking grill rack
- Firebreak
- Firebreak's hat
- Cookware⁴
- Below cabine

TECHNICAL DRAWINGS



* The total height of the oven can be reduced by using shorter outlet register and firebreak.

TECHNICAL INFORMATION

Fire up time ¹	30 min average
Josper charcoal daily consumption	10 to 12 kg average
Performance	9 h
Production per hour ²	60 kg average
Cooking temperature	300 °C to 350 °C
Oven capacity in GN trays (per grill rack)	2 x GN1/2 + 1 x GN1/3
Power equivalence	3 kW
Exhaust rate ³	2800 m ³ /h
Maximum smoke flow	7 g/s

INSTALLATION

Recommended installation height	550 mm from floor level
Clearance with other cooking equipment	100 mm

BUNDLES: SIZES AND WEIGHTS

Sizes bundle 1	760 x 750 x 1065 mm
-	-
-	-
Gross weight bundle 1	173 kg
-	-
-	-

- 1 Please, check our document titled "Fire up and use of the Josper oven".
- 2 Please, check our "Cookbook".
- 3 Please, check our document titled "Installation advices of the Josper oven".
- 4 Please, see our wide range of cookware in our website: www.josper.es
Ovens' sizes and weights are to be considered with the standard accessories and packing.

i A continual improvement process may require us to change specifications without any notice. Revised June 2012.



Charcoal Oven HJX38PM

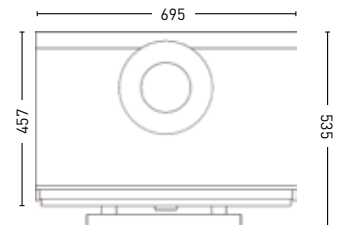
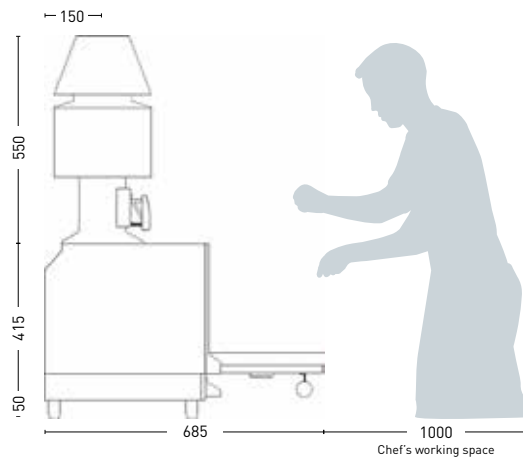
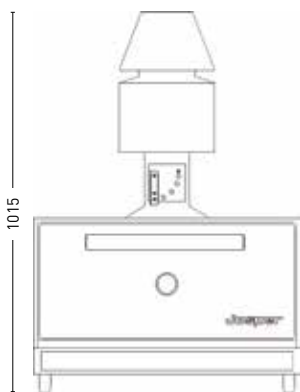
INCLUDED ACCESSORIES

- Smoke outlet vent
- One cooking grill rack
- Charcoal grates
- Josper tongs
- Bristle brush
- Poker
- Ash hatch and handle
- Ash pan

OPTIONAL ACCESSORIES

- Extra cooking grill rack
- Firebreak
- Firebreak's hat
- Cookware⁴

TECHNICAL DRAWINGS



TECHNICAL INFORMATION

Fire up time ¹	25 min average
Josper charcoal daily consumption	6 to 8 kg average
Performance	7 h
Production per hour ²	6 to 8 kg average
Cooking temperature	300 °C to 350 °C
Oven capacity in GN trays (per grill rack)	2 x GN1/2
Power equivalence	2 kW
Exhaust rate ³	2500 m ³ /h
Maximum smoke flow	4.7 g/s


INSTALLATION

Recommended installation height	850 mm from floor level
Clearance with other cooking equipment	100 mm

BUNDLES: SIZES AND WEIGHTS

Sizes bundle 1	1010 x 750 x 680 mm
-	-
-	-
Gross weight bundle 1	144 kg
-	-
-	-

- 1 Please, check our document titled "Fire up and use of the Josper oven".
- 2 Please, check our "Cookbook".
- 3 Please, check our document titled "Installation advices of the Josper oven".
- 4 Please, see our wide range of cookware in our website: www.josper.es
Ovens' sizes and weights are to be considered with the standard accessories and packing.

 A continual improvement process may require us to change specifications without any notice. Revised June 2012.



Charcoal Oven HJX45L

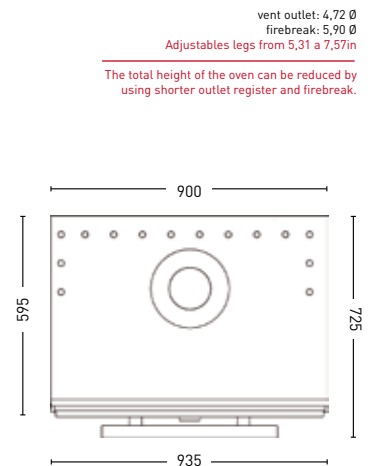
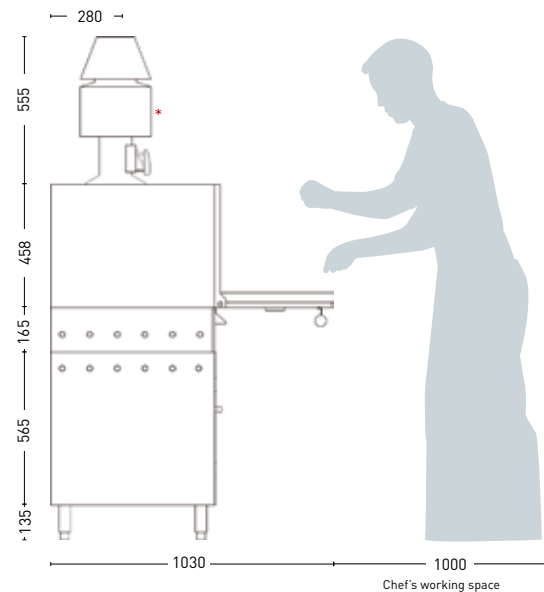
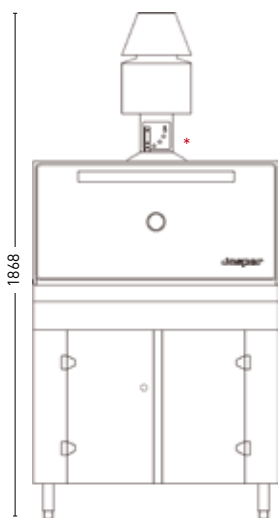
INCLUDED ACCESSORIES

- Smoke outlet vent
- One cooking grill rack
- Charcoal grates
- Jospier tongs
- Bristle brush
- Poker
- Ash hatch and handle
- Ash pan

OPTIONAL ACCESSORIES

- Extra cooking grill rack
- Firebreak
- Firebreak's hat
- Cookware⁴
- Tray support

TECHNICAL DRAWINGS



TECHNICAL INFORMATION

Fire up time ¹	35 min average
Jospier charcoal daily consumption	12 to 16 kg average
Performance	9 h
Production per hour ²	90 kg average
Cooking temperature	300 °C to 350 °C
Oven capacity in GN trays (per grill rack)	2 x GN1/1
Power equivalence	4.5 kW
Exhaust rate ³	3200 m ³ /h
Maximum smoke flow	10.5 g/s

INSTALLATION

Recommended installation height	
Clearance with other cooking equipment	100 mm

BUNDLES: SIZES AND WEIGHTS

Sizes bundle 1	1010 x 750 x 905 mm
Sizes bundle 2	1010 x 750 x 835 mm
-	-
Gross weight bundle 1	233 kg
Gross weight bundle 2	64 kg
-	-

- 1 Please, check our document titled "Fire up and use of the Jospier oven".
- 2 Please, check our "Cookbook".
- 3 Please, check our document titled "Installation advices of the Jospier oven".
- 4 Please, see our wide range of cookware in our website: www.jospier.es
Ovens' sizes and weights are to be considered with the standard accessories and packing.

A continual improvement process may require us to change specifications without any notice. Revised June 2012.



Charcoal Oven HJX45L*ACXP

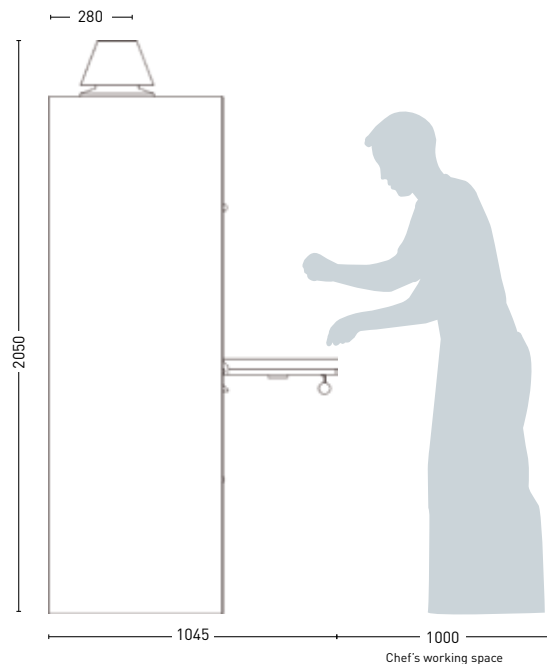
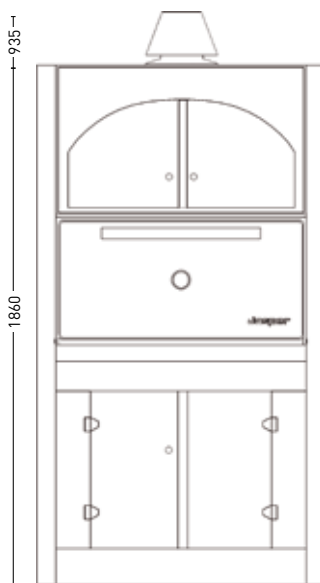
INCLUDED ACCESSORIES

- Smoke outlet vent
- One cooking grill rack
- Charcoal grates
- Josper tongs
- Bristle brush
- Poker
- Ash hatch and handle
- Ash pan

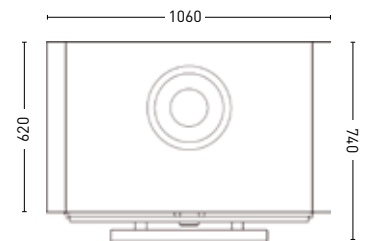
OPTIONAL ACCESSORIES

- Extra cooking grill rack
- Firebreak
- Firebreak's hat
- Cookware⁴

TECHNICAL DRAWINGS



vent outlet: 4,72 Ø
firebreak: 5,90 Ø



TECHNICAL INFORMATION

Fire up time ¹	35 min average
Josper charcoal daily consumption	12 to 16 kg average
Performance	9 h
Production per hour ²	90 kg average
Cooking temperature	300 °C to 350 °C
Oven capacity in GN trays (per grill rack)	2 x GN1/1
Power equivalence	4.5 kW
Exhaust rate ³	3200 m ³ /h
Maximum smoke flow	10.5 g/s

INSTALLATION

Recommended installation height	
Clearance with other cooking equipment	

BUNDLES: SIZES AND WEIGHTS

Sizes bundle 1	1010 x 750 x 905 mm
Sizes bundle 2	1010 x 750 x 835 mm
Sizes bundle 3	1200 x 800 x 2010 mm
Gross weight bundle 1	233 kg
Gross weight bundle 2	64 kg
Gross weight bundle 3	152 kg

- 1 Please, check our document titled "Fire up and use of the Josper oven".
- 2 Please, check our "Cookbook".
- 3 Please, check our document titled "Installation advices of the Josper oven".
- 4 Please, see our wide range of cookware in our website: www.josper.es
Ovens' sizes and weights are to be considered with the standard accessories and packing.

A continual improvement process may require us to change specifications without any notice. Revised June 2012.



Charcoal Oven HJX45L*BC

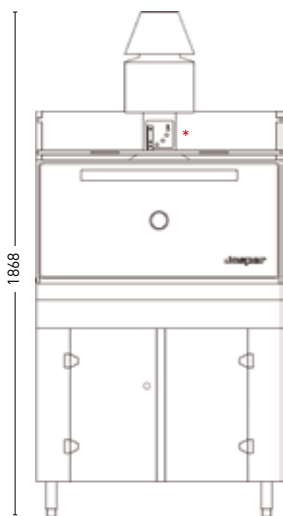
INCLUDED ACCESSORIES

- Smoke outlet vent
- One cooking grill rack
- Charcoal grates
- Josper tongs
- Bristle brush
- Poker
- Ash hatch and handle
- Ash pan

OPTIONAL ACCESSORIES

- Extra cooking grill rack
- Firebreak
- Firebreak's hat
- Cookware⁴

TECHNICAL DRAWINGS



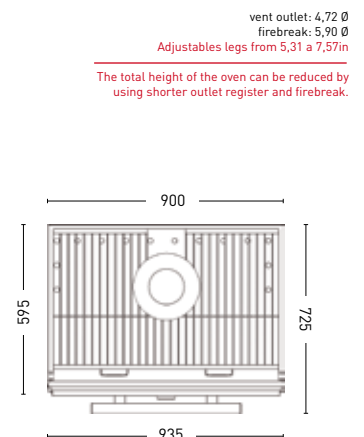
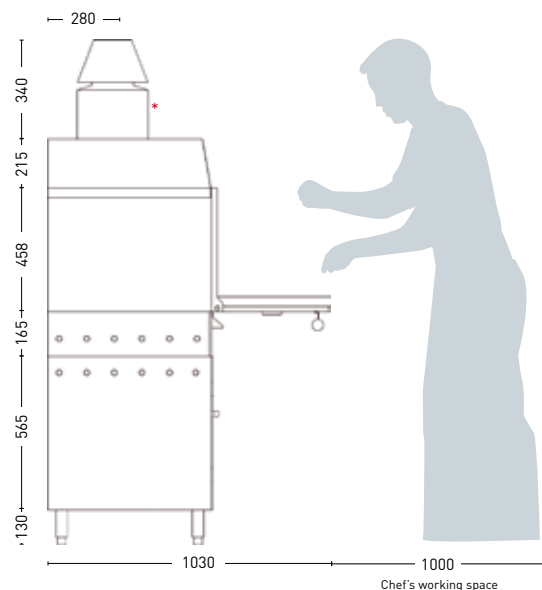
TECHNICAL INFORMATION	
Fire up time ¹	35 min average
Josper charcoal daily consumption	12 to 16 kg average
Performance	9 h
Production per hour ²	90 kg average
Cooking temperature	300 °C to 350 °C
Oven capacity in GN trays (per grill rack)	2 x GN1/1
Power equivalence	4.5 kW
Exhaust rate ³	3200 m ³ /h
Maximum smoke flow	10.5 g/s

INSTALLATION	
Recommended installation height	
Clearance with other cooking equipment	100 mm

BUNDLES: SIZES AND WEIGHTS	
Sizes bundle 1	1010 x 750 x 1100 mm
Sizes bundle 2	1010 x 750 x 835 mm
-	-
Gross weight bundle 1	250 kg
Gross weight bundle 2	64 kg
-	-

- 1 Please, check our document titled "Fire up and use of the Josper oven".
 - 2 Please, check our "Cookbook".
 - 3 Please, check our document titled "Installation advices of the Josper oven".
 - 4 Please, see our wide range of cookware in our website: www.josper.es
- Ovens' sizes and weights are to be considered with the standard accessories and packing.

A continual improvement process may require us to change specifications without any notice. Revised June 2012.



vent outlet: 4,72 Ø
firebreak: 5,90 Ø
Adjustables legs from 5,31 a 7,57in

The total height of the oven can be reduced by using shorter outlet register and firebreak.



Charcoal Oven HJX45M

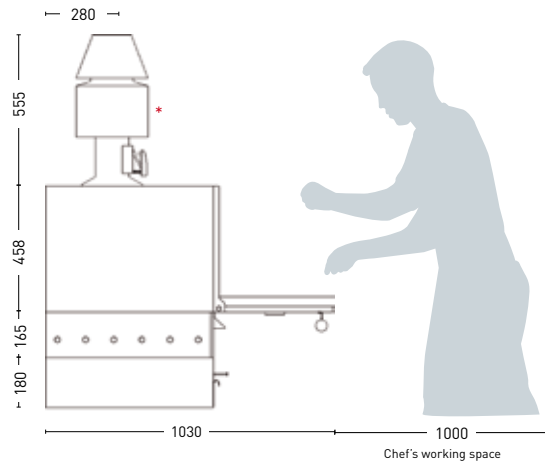
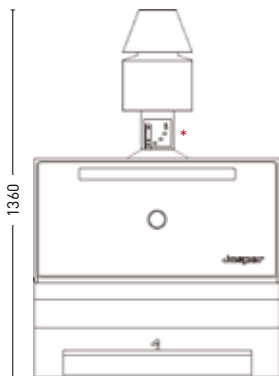
INCLUDED ACCESSORIES

- Smoke outlet vent
- One cooking grill rack
- Charcoal grates
- Josper tongs
- Bristle brush
- Poker
- Ash hatch and handle
- Ash pan

OPTIONAL ACCESSORIES

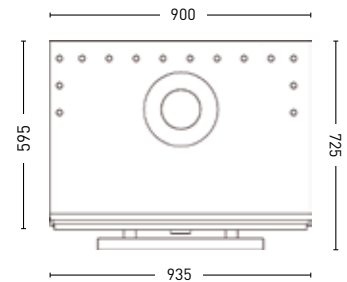
- Extra cooking grill rack
- Firebreak
- Firebreak's hat
- Cookware⁴
- Tray support
- Below cabinet

TECHNICAL DRAWINGS



vent outlet: 4,72 Ø
firebreak: 5,90 Ø

* The total height of the oven can be reduced by using shorter outlet register and firebreak.



TECHNICAL INFORMATION

Fire up time ¹	35 min average
Josper charcoal daily consumption	12 to 16 kg average
Performance	9 h
Production per hour ²	90 kg average
Cooking temperature	300 °C to 350 °C
Oven capacity in GN trays (per grill rack)	2 x GN1/1
Power equivalence	4.5 kW
Exhaust rate ³	3200 m ³ /h
Maximum smoke flow	10.5 g/s

INSTALLATION

Recommended installation height	550 mm from floor level
Clearance with other cooking equipment	100 mm

BUNDLES: SIZES AND WEIGHTS

Sizes bundle 1	1010 x 750 x 960 mm
-	-
-	-
Gross weight bundle 1	250 kg
-	-
-	-

- 1 Please, check our document titled "Fire up and use of the Josper oven".
 - 2 Please, check our "Cookbook".
 - 3 Please, check our document titled "Installation advices of the Josper oven".
 - 4 Please, see our wide range of cookware in our website: www.josper.es
- Ovens' sizes and weights are to be considered with the standard accessories and packing.

A continual improvement process may require us to change specifications without any notice. Revised June 2012.



Charcoal Oven HJX45M*BC

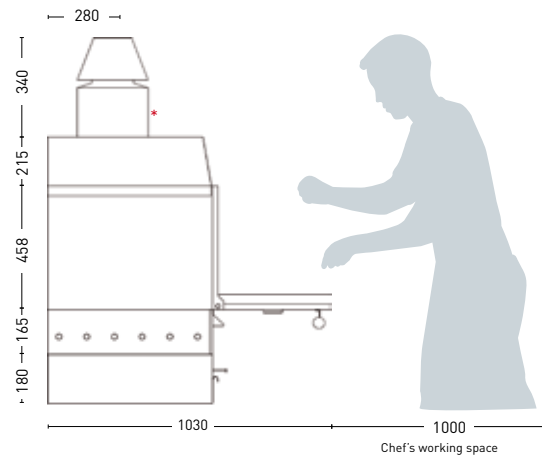
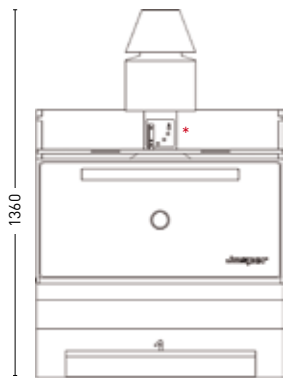
INCLUDED ACCESSORIES

- Smoke outlet vent
- One cooking grill rack
- Charcoal grates
- Josper tongs
- Bristle brush
- Poker
- Ash hatch and handle
- Ash pan

OPTIONAL ACCESSORIES

- Extra cooking grill rack
- Firebreak
- Firebreak's hat
- Cookware⁴
- Below cabinet

TECHNICAL DRAWINGS



vent outlet: 4,72 Ø
firebreak: 5,90 Ø

* The total height of the oven can be reduced by using shorter outlet register and firebreak.

TECHNICAL INFORMATION

Fire up time ¹	35 min average
Josper charcoal daily consumption	12 to 16 kg average
Performance	9 h
Production per hour ²	90 kg average
Cooking temperature	300 °C to 350 °C
Oven capacity in GN trays (per grill rack)	2 x GN1/1
Power equivalence	4.5 kW
Exhaust rate ³	3200 m ³ /h
Maximum smoke flow	10.5 g/s

INSTALLATION

Recommended installation height	550 mm from floor level
Clearance with other cooking equipment	100 mm

BUNDLES: SIZES AND WEIGHTS

Sizes bundle 1	1010 x 750 x 1155 mm
-	-
-	-
Gross weight bundle 1	267 kg
-	-
-	-

- 1 Please, check our document titled "Fire up and use of the Josper oven".
- 2 Please, check our "Cookbook".
- 3 Please, check our document titled "Installation advices of the Josper oven".
- 4 Please, see our wide range of cookware in our website: www.josper.es
Ovens' sizes and weights are to be considered with the standard accessories and packing.

A continual improvement process may require us to change specifications without any notice. Revised June 2012.



Charcoal Oven HJX50L

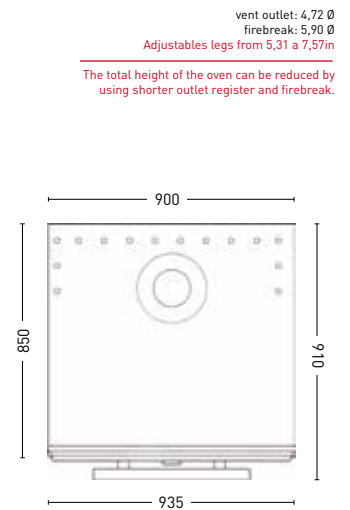
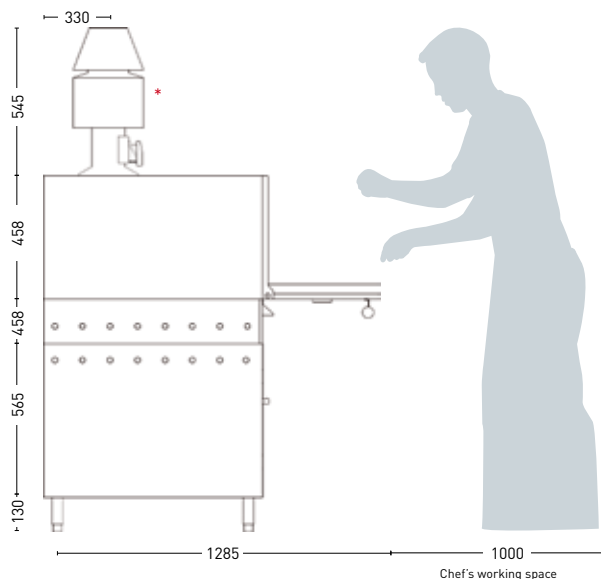
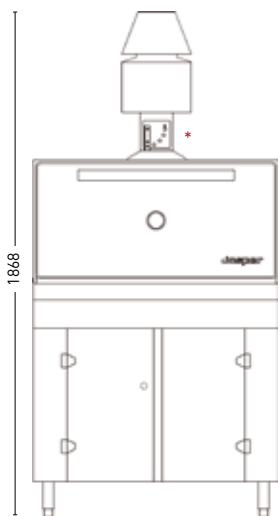
INCLUDED ACCESSORIES

- Smoke outlet vent
- One cooking grill rack
- Charcoal grates
- Jospier tongs
- Bristle brush
- Poker
- Ash hatch and handle
- Ash pan

OPTIONAL ACCESSORIES

- Extra cooking grill rack
- Firebreak
- Firebreak's hat
- Cookware⁴
- Below cabinet

TECHNICAL DRAWINGS



vent outlet: 4,72 Ø
 firebreak: 5,90 Ø
 Adjustables legs from 5,31 a 7,57m
 The total height of the oven can be reduced by using shorter outlet register and firebreak.

TECHNICAL INFORMATION

Fire up time ¹	40 min average
Jospier charcoal daily consumption	16 to 20 kg average
Performance	9 h
Production per hour ²	110 kg average
Cooking temperature	300 °C to 350 °C
Oven capacity in GN trays (per grill rack)	2 x GN1/1 + 2 x GN1/2
Power equivalence	6 kW
Exhaust rate ³	3500 m ³ /h
Maximum smoke flow	14 g/s

INSTALLATION

Recommended installation height	
Clearance with other cooking equipment	100 mm

BUNDLES: SIZES AND WEIGHTS

Sizes bundle 1	1010 x 1010 x 905 mm
Sizes bundle 2	1010 x 1010 x 840 mm
-	-
Gross weight bundle 1	287 kg
Gross weight bundle 2	76 kg
-	-

- 1 Please, check our document titled "Fire up and use of the Jospier oven".
 - 2 Please, check our "Cookbook".
 - 3 Please, check our document titled "Installation advices of the Jospier oven".
 - 4 Please, see our wide range of cookware in our website: www.jospier.es
- Ovens' sizes and weights are to be considered with the standard accessories and packing.

A continual improvement process may require us to change specifications without any notice. Revised June 2012.



Charcoal Oven HJX50L*ACXP

INCLUDED ACCESSORIES

- Smoke outlet vent
- One cooking grill rack
- Charcoal grates
- Josper tongs
- Bristle brush
- Poker
- Ash hatch and handle
- Ash pan

OPTIONAL ACCESSORIES

- Extra cooking grill rack
- Firebreak
- Firebreak's hat
- Cookware⁴

TECHNICAL INFORMATION

Fire up time ¹	40 min average
Josper charcoal daily consumption	16 to 20 kg average
Performance	9 h
Production per hour ²	110 kg average
Cooking temperature	300 °C to 350 °C
Oven capacity in GN trays (per grill rack)	2 x GN1/1 + 2 x GN1/2
Power equivalence	6 kW
Exhaust rate ³	3500 m ³ /h
Maximum smoke flow	14 g/s


INSTALLATION

Recommended installation height	
Clearance with other cooking equipment	

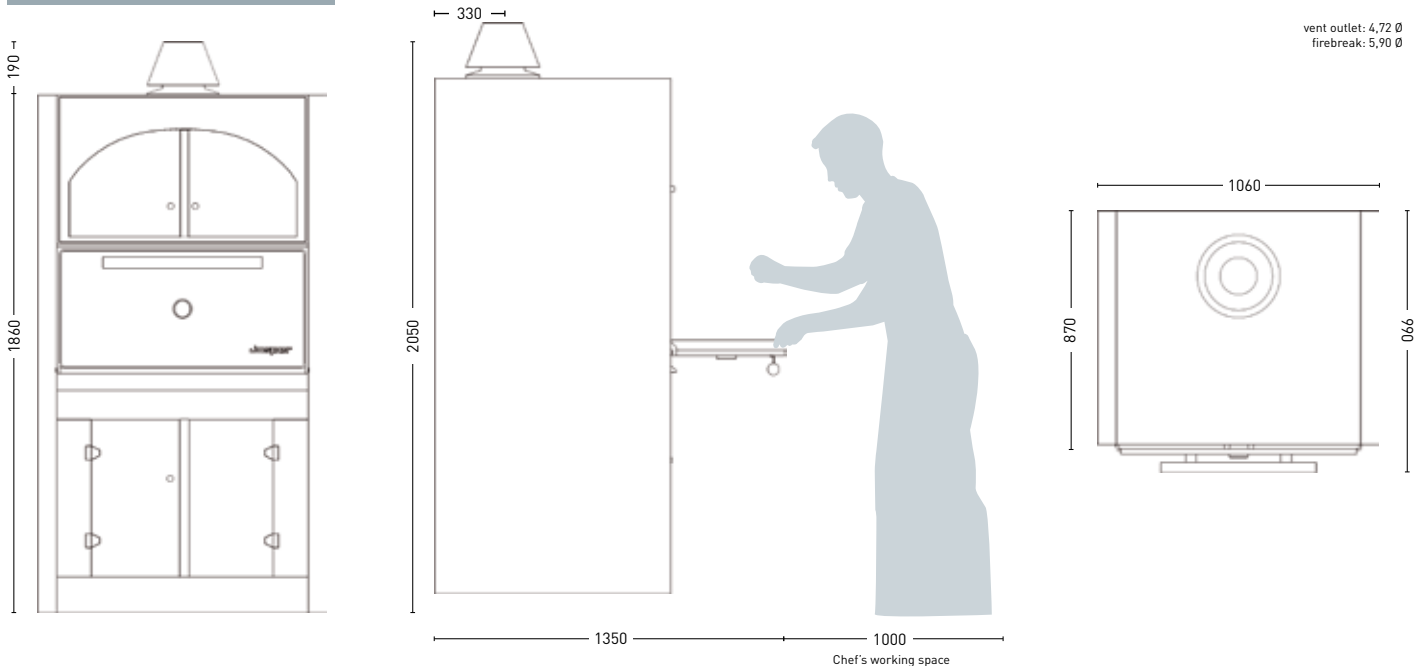
BUNDLES: SIZES AND WEIGHTS

Sizes bundle 1	1010 x 1010 x 905 mm
Sizes bundle 2	1010 x 1010 x 840 mm
Sizes bundle 3	1200 x 800 x 2010 mm
Gross weight bundle 1	287 kg
Gross weight bundle 2	76 kg
Gross weight bundle 3	172 kg

- 1 Please, check our document titled "Fire up and use of the Josper oven".
 - 2 Please, check our "Cookbook".
 - 3 Please, check our document titled "Installation advices of the Josper oven".
 - 4 Please, see our wide range of cookware in our website: www.josper.es
- Ovens' sizes and weights are to be considered with the standard accessories and packing.

 A continual improvement process may require us to change specifications without any notice. Revised June 2012.

TECHNICAL DRAWINGS





Charcoal Oven HJX50L*BC

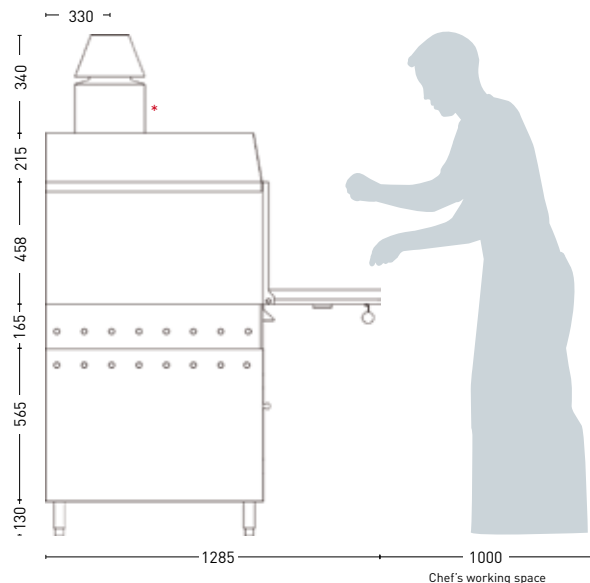
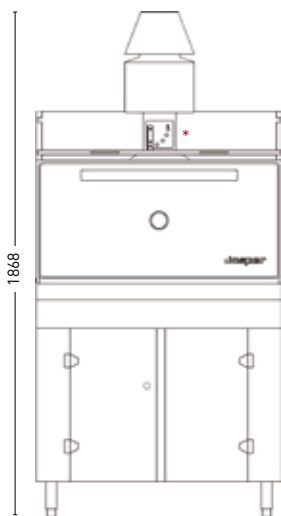
INCLUDED ACCESSORIES

- Smoke outlet vent
- One cooking grill rack
- Charcoal grates
- Josper tongs
- Bristle brush
- Poker
- Ash hatch and handle
- Ash pan

OPTIONAL ACCESSORIES

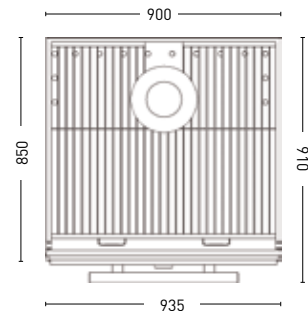
- Extra cooking grill rack
- Firebreak
- Firebreak's hat
- Cookware⁴

TECHNICAL DRAWINGS



vent outlet: 4,72 Ø
firebreak: 5,90 Ø
Adjustables legs from 5,31 a 7,57in

The total height of the oven can be reduced by using shorter outlet register and firebreak.



TECHNICAL INFORMATION

Fire up time ¹	40 min average
Josper charcoal daily consumption	16 to 20 kg average
Performance	9 h
Production per hour ²	110 kg average
Cooking temperature	300 °C to 350 °C
Oven capacity in GN trays (per grill rack)	2 x GN1/1 + 2 x GN1/2
Power equivalence	6 kW
Exhaust rate ³	3500 m3/h
Maximum smoke flow	14 g/s

INSTALLATION

Recommended installation height	
Clearance with other cooking equipment	100 mm

BUNDLES: SIZES AND WEIGHTS

Sizes bundle 1	1010 x 1010 x 1115 mm
Sizes bundle 2	1010 x 1010 x 840 mm
-	-
Gross weight bundle 1	311 kg
Gross weight bundle 2	76 kg
-	-

- 1 Please, check our document titled "Fire up and use of the Josper oven".
- 2 Please, check our "Cookbook".
- 3 Please, check our document titled "Installation advices of the Josper oven".
- 4 Please, see our wide range of cookware in our website: www.josper.es
Ovens' sizes and weights are to be considered with the standard accessories and packing.

i A continual improvement process may require us to change specifications without any notice. Revised June 2012.



Charcoal Oven HJX50M

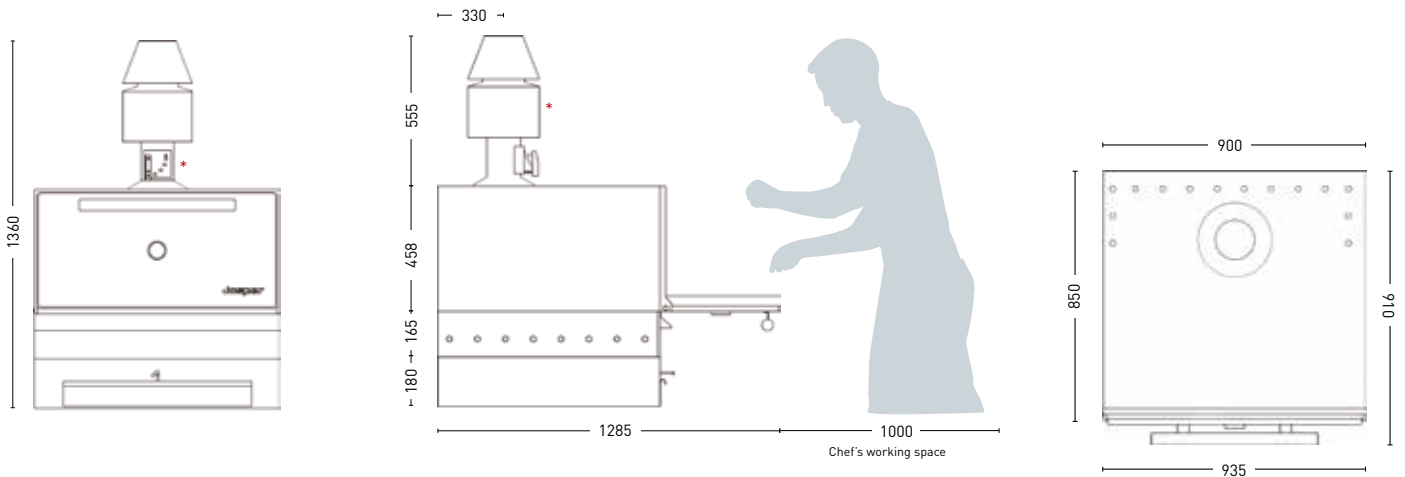
INCLUDED ACCESSORIES

- Smoke outlet vent
- One cooking grill rack
- Charcoal grates
- Jospier tongs
- Bristle brush
- Poker
- Ash hatch and handle
- Ash pan

OPTIONAL ACCESSORIES

- Extra cooking grill rack
- Firebreak
- Firebreak's hat
- Cookware⁴
- Tray support
- Below cabine

TECHNICAL DRAWINGS



TECHNICAL INFORMATION

Fire up time ¹	40 min average
Jospier charcoal daily consumption	16 to 20 kg average
Performance	9 h
Production per hour ²	110 kg average
Cooking temperature	300 °C to 350 °C
Oven capacity in GN trays (per grill rack)	2 x GN1/1 + 2 x GN1/2
Power equivalence	6 kW
Exhaust rate ³	3500 m ³ /h
Maximum smoke flow	14 g/s

INSTALLATION

Recommended installation height	550 mm from floor level
Clearance with other cooking equipment	100 mm

BUNDLES: SIZES AND WEIGHTS

Sizes bundle 1	1010 x 1010 x 960 mm
-	-
-	-
Gross weight bundle 1	309 kg
-	-
-	-

- 1 Please, check our document titled "Fire up and use of the Jospier oven".
 - 2 Please, check our "Cookbook".
 - 3 Please, check our document titled "Installation advices of the Jospier oven".
 - 4 Please, see our wide range of cookware in our website: www.jospier.es
- Ovens' sizes and weights are to be considered with the standard accessories and packing.

A continual improvement process may require us to change specifications without any notice. Revised June 2012.



Charcoal Oven HJX50M*BC

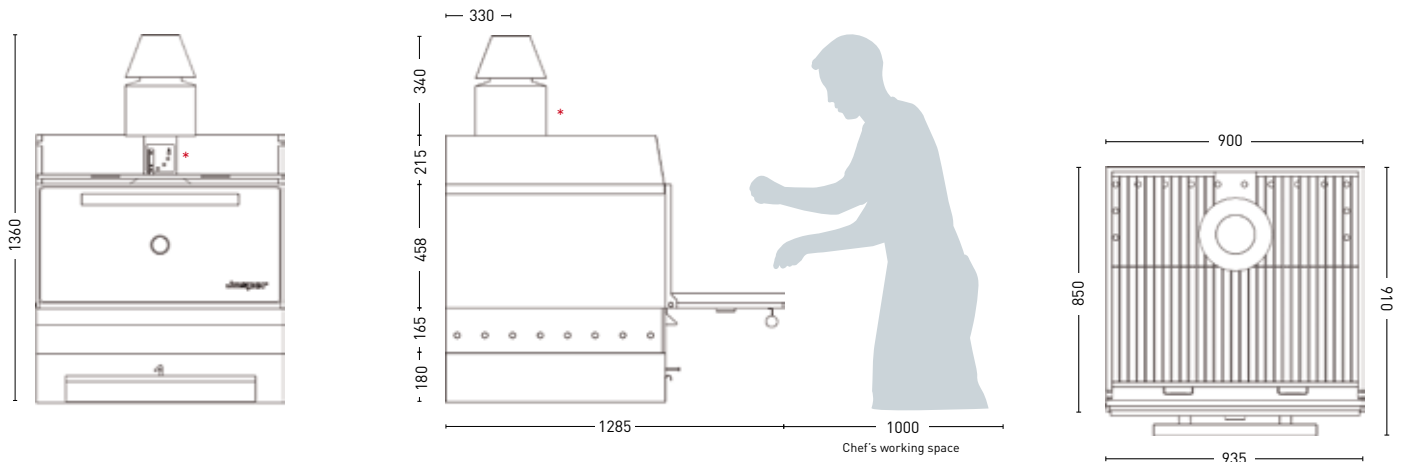
INCLUDED ACCESSORIES

- Smoke outlet vent
- One cooking grill rack
- Charcoal grates
- Josper tongs
- Bristle brush
- Poker
- Ash hatch and handle
- Ash pan

OPTIONAL ACCESSORIES

- Extra cooking grill rack
- Firebreak
- Firebreak's hat
- Cookware⁴
- Below cabinet

TECHNICAL DRAWINGS



TECHNICAL INFORMATION

Fire up time ¹	40 min average
Josper charcoal daily consumption	16 to 20 kg average
Performance	9 h
Production per hour ²	110 kg average
Cooking temperature	300 °C to 350 °C
Oven capacity in GN trays (per grill rack)	2 x GN1/1 + 2 x GN1/2
Power equivalence	6 kW
Exhaust rate ³	3500 m ³ /h
Maximum smoke flow	14 g/s

INSTALLATION

Recommended installation height	550 mm from floor level
Clearance with other cooking equipment	100 mm

BUNDLES: SIZES AND WEIGHTS

Sizes bundle 1	1010 x 1010 x 1155 mm
-	-
-	-
Gross weight bundle 1	333 kg
-	-
-	-

- 1 Please, check our document titled "Fire up and use of the Josper oven".
 - 2 Please, check our "Cookbook".
 - 3 Please, check our document titled "Installation advices of the Josper oven".
 - 4 Please, see our wide range of cookware in our website: www.josper.es
- Ovens' sizes and weights are to be considered with the standard accessories and packing.

A continual improvement process may require us to change specifications without any notice. Revised June 2012.